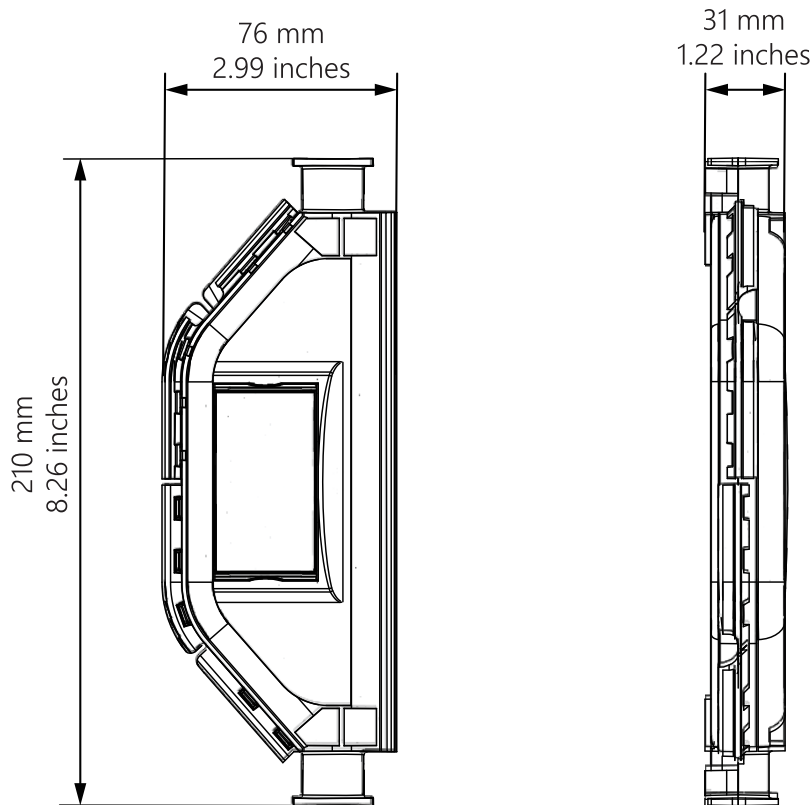


NOVUX™ Fiber Optic System SRC 10

1 About this manual

This installation instruction document describes the installation of the SRC10 (repair closure). The document starts with general product information, an overview of the tools required to perform the installation. Also warnings and cautions are indicated, which should be observed before starting the product installation. Following installation steps are covered in this document: closure preparation, drop cable installation, routing, patching and splicing, closing the closure and mounting the closure. Images in this manual are for reference only and are subject to change.

2 Dimensions



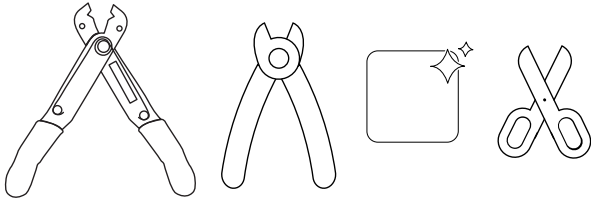
3 Cable Diameter range

Drop cable	mm	inches
Round cable (Metal clip for round cable)	4 - 6,2	0.16 - 0.24
Round cable (Cable ties)	2 - 6,2	0.08 - 0.24
Flat cable (Metal clip for flat cable)	8 x 4,5	0.32 x 0.18

Contents

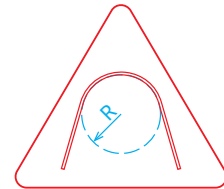
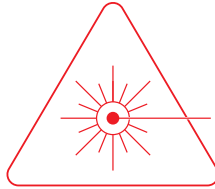
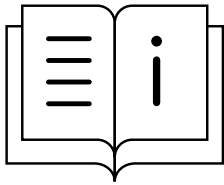
1 About this manual.....	1	9 Cable retention: Cable ties.....	6
2 Dimensions.....	1	9.1 Kit contents.....	6
3 Cable Diameter range.....	1	9.2 Apply silicon tape on the cable.....	6
4 Tools.....	3	9.3 Install the cable.....	7
5 Warnings and Cautions.....	3	10 Splice application.....	8
6 Access the organiser.....	3	11 Patch application.....	8
7 Prepare cable.....	4	12 Dark fiber storage.....	8
7.1 Rigid strength member.....	4	13 Close the closure.....	9
7.2 Cable retention.....	4	14 Mount the closure.....	9
8 Cable retention: Metal clip.....	5	14.1 Wall- and pole mounting with screws.....	9
8.1 Kit contents.....	5	15 Disclaimer.....	10
8.2 Install round cable.....	5	16 Contact information.....	10
8.3 Install flat cable.....	5		

4 Tools



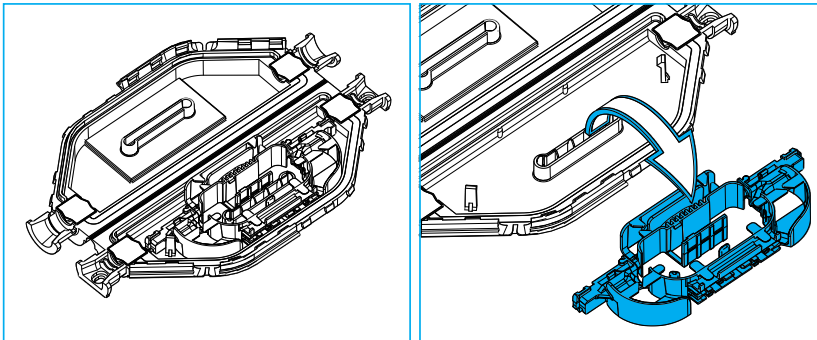
- Cable Stripping and cleaning tools
- Scissors

5 Warnings and Cautions



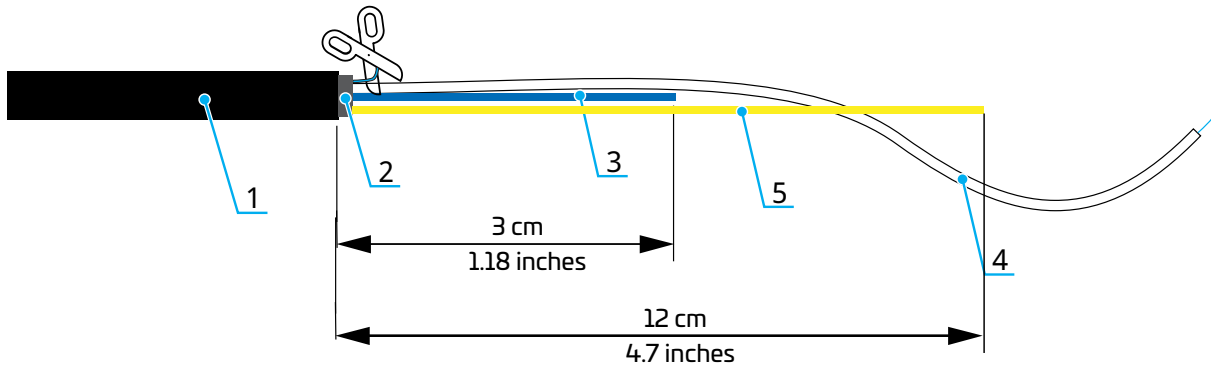
- Follow the installation instruction steps to ensure the performance of the closure. It is necessary to take precautions and keep the working space clean to protect the closure sealing materials and splices.
- Exposure to laser radiation can seriously damage the retina of the eye. Do not look into the ends of any optical fiber. Do not assume the laser power is turned off or that the fiber is disconnected at the other end. Looking into the ends of any optical fiber is entirely at your own risk. A protective cap or hood **MUST** be immediately placed over any radiating adapter or optical fiber connector to avoid the potential of dangerous amounts of radiation exposure. This practice also prevents dirt particles from entering the connector and adapter.
- Fiber optic cables may be damaged if bent or curved to a radius that is less than the recommended minimum bend radius. Always observe the recommended bend radius limit when installing fiber optic cables, subunits and patch cords.

6 Access the organiser



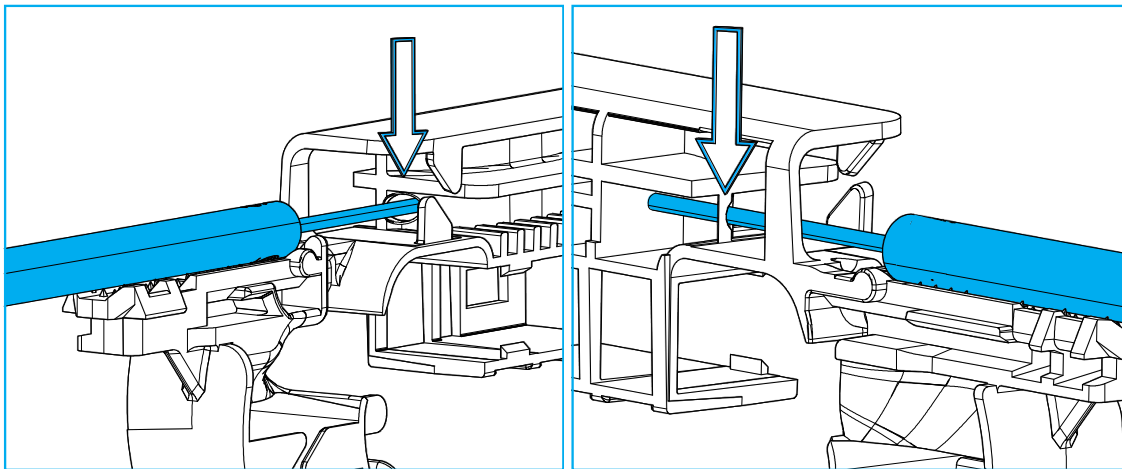
- 1 Remove the closure from the packaging.
- 2 Remove the organizer from the closure.

7 Prepare cable



N°	Description	Preparation
1	Jacket	Remove the jacket with a distance of 90 ± 5 cm / 35.4 ± 2 Inches.
2	Dual Jacket (if present)	Make the dual jacket as small as possible; keep a maximum length of 1,2 cm / 0.47 Inches.
3	Rigid strength member (if present)	Cut the rigid strength member to length to $3 +0/-0,5$ cm / $1.18 +0/-0.2$ Inches. The maximum diameter of the strength member is 3 mm / 0.12 Inches.
4	Subunits (Tube)	Clean the subunits (tubes), remove all grease. The subunit tube should be removed to access the fiber. Make it as small as possible.
5	Aramid yarn (if present)	Cut the aramid yarn to a length of 12 ± 1 cm / 4.7 ± 0.4 Inches. Limit the amount of aramid yarn.

7.1 Rigid strength member



If a rigid strength member is present you need to cut it to $3 +0/-0,5$ cm / $1.18 +0/-0.2$ Inches. To prevent damage due to cable grow out the strength member need to be installed as in the images above.

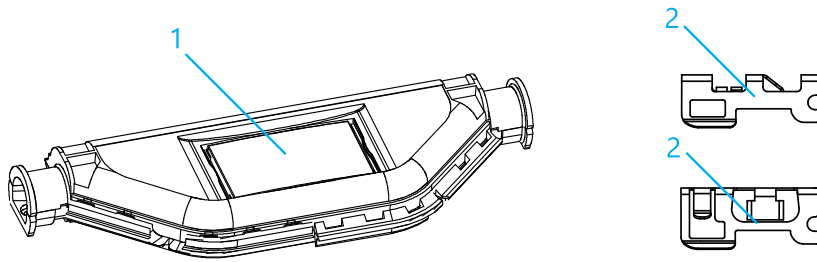
Note: The maximum diameter of the strength member is 3 mm / 0.12 Inches.

7.2 Cable retention

Note: According to best practice in the field the correct cable retention needs to be selected. Please reach out to the TAC/FAE local representative in case extra information is required.

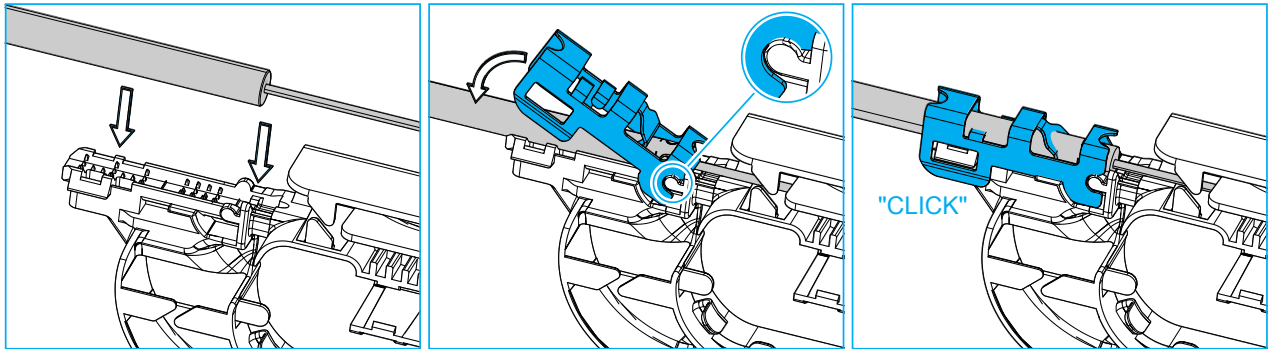
8 Cable retention: Metal clip

8.1 Kit contents



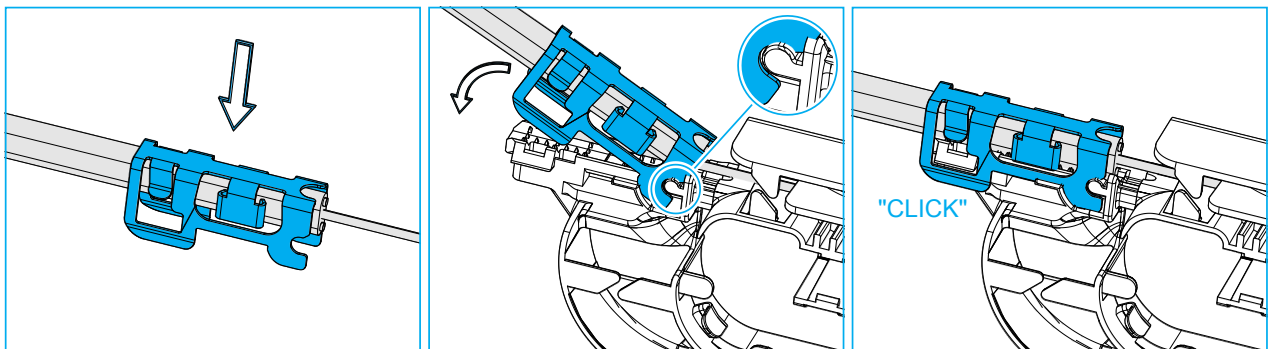
N°	Description	Qty
1	SRC10 Repair Closure	1
2	Metal clip for round or flat cable	2

8.2 Install round cable



- 1 Align the jacket opening with the rib on the carrier.
- 2 Mount the clip on the cable - carrier assembly. The two slots of the metal clip should be positioned in the two tabs of the carrier, then press the clip towards the cable.
- 3 Push until the two snap hooks snap into the slots of the metal clip. Pliers are allowed to close the clip properly.

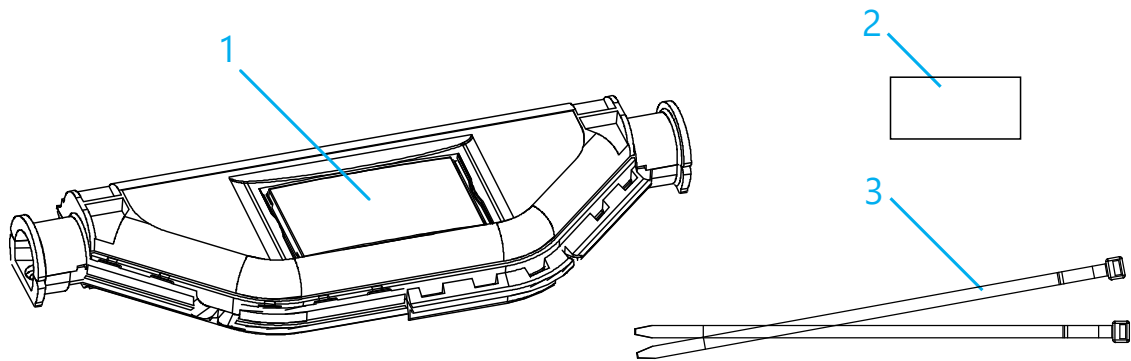
8.3 Install flat cable



- 1 Mount the clip on the cable.
- 2 The two slots of the metal clip should be positioned in the two tabs of the carrier, then press the clip towards the cable.
- 3 Push until the two snap hooks snap into the slots of the metal clip. Pliers are allowed to close the clip properly.

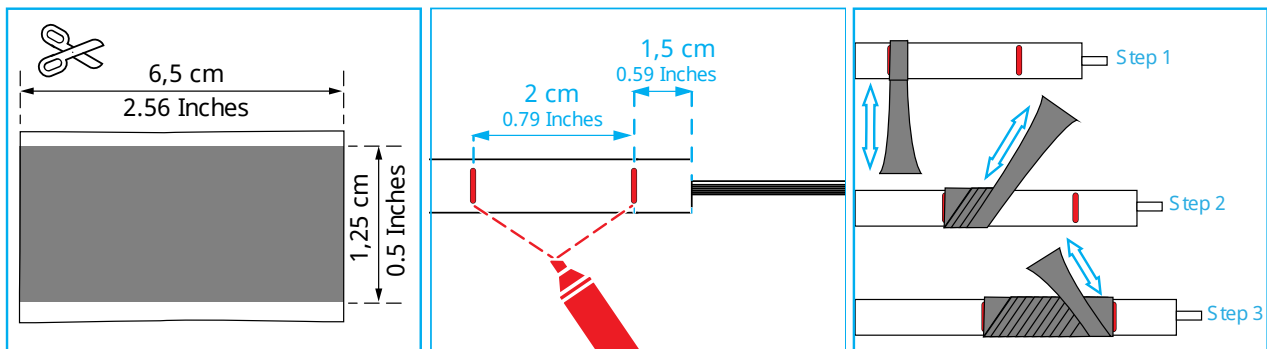
9 Cable retention: Cable ties

9.1 Kit contents



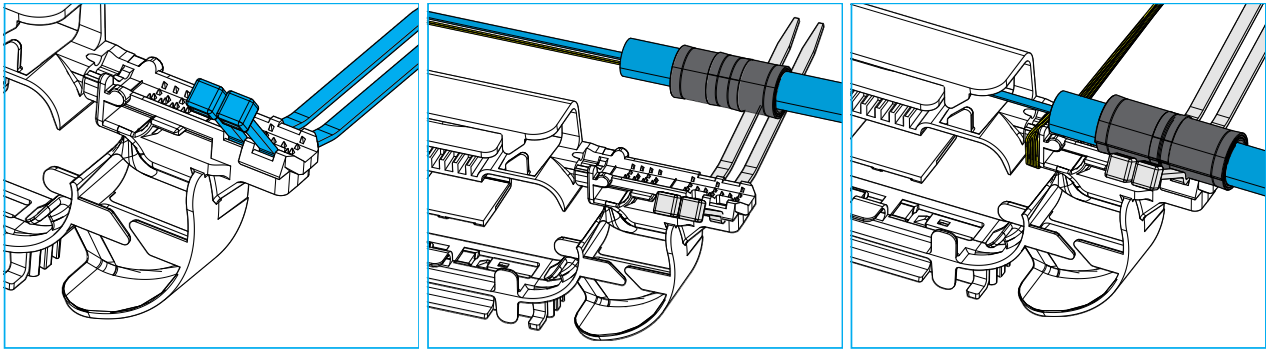
N°	Description	Qty
1	SRC10 Repair Closure	1
2	Silicone tape (1,25 cm / 0.5 Inches width)	1
3	Cable ties	6

9.2 Apply silicon tape on the cable

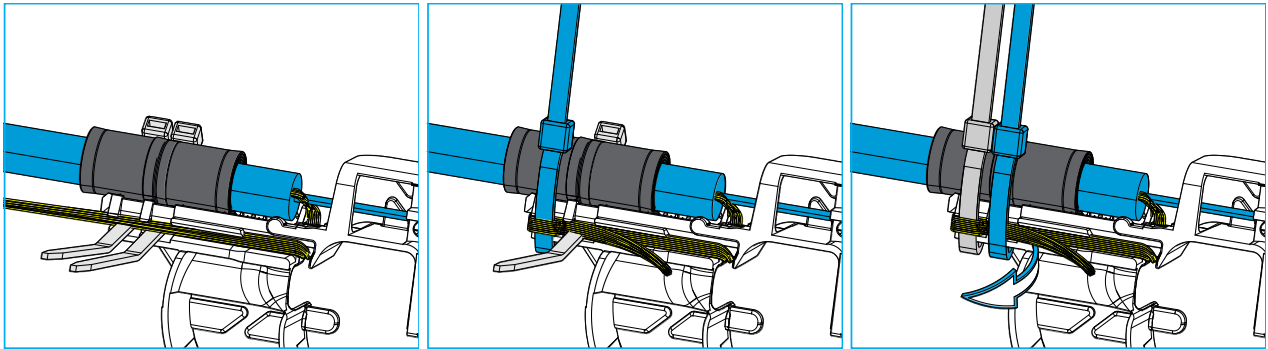


- 1 Verify the size of the silicone tape: 6,5 X 1,25 cm / 2.56 X 0.5 Inches. If the tape doesn't have these dimensions, cut the strip to these dimensions (lengthwise and widthwise).
- ⚠ Attention:** Make sure your hands are clean and degreased before preparing and installing the cables. Degrease the cable where the cable will enter the closure.
- 2 Make a first mark on the cable 1,5 cm / 0.59 Inches from the jacket end. Make a second mark 2 cm / 0.79 Inches from this first mark.
- 3 Apply the silicone tape between the two marks. Remove the protective paper. Stretch the tape minimum 50% while wrapping the tape around the cable. First apply a full turn around the cable, then continue to cover up to the second mark. Make one turn at the end point and come back with the remaining tape.

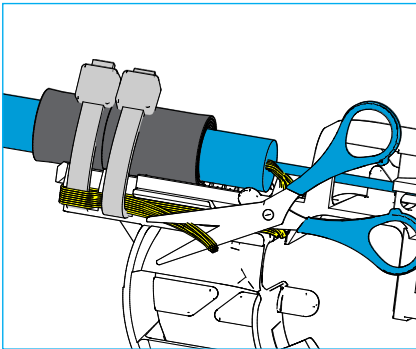
9.3 Install the cable



- 1 Install the cable ties in the slots in the carrier, as shown. Make sure the teeth of the cable tie are facing upwards.
- 2 Position the cable on the carrier with the jacket opening aligned with the rib on the carrier.
- 3 Guide the aramid yarn under the carrier as shown.

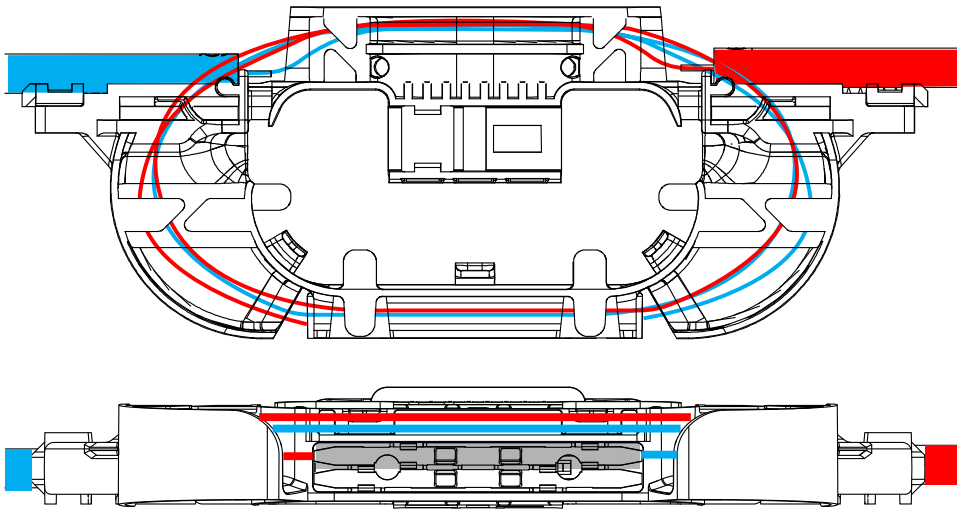


- 4 Keep the cable in place and pull the aramid yarn backwards. Make sure the cable doesn't twist.
- 5 Secure the first cable tie with the aramid yarn caught between cable and cable tie but do not tighten yet. Bring the aramid yarn to the front.
- 6 Secure the second cable tie with the aramid yarn caught between cable and cable tie. Make sure to put the aramid yarn under tension during this operation.

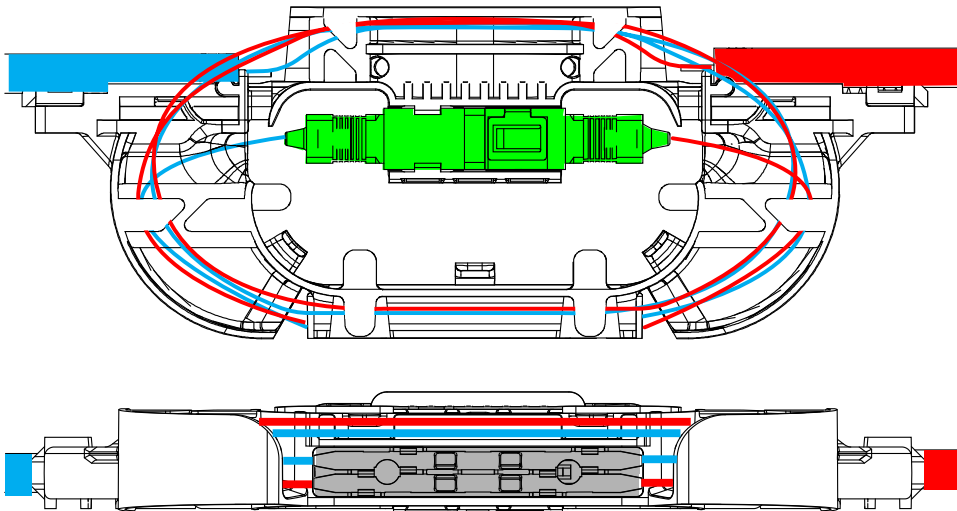


- 7 Tighten the two cable ties, make sure the cable tie head is positioned on top of the cable as shown on image above. Cut off excess aramid yarn and excess cable tie strap.

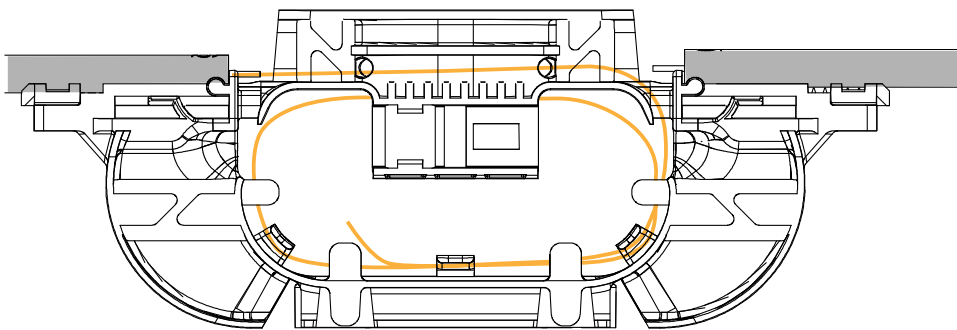
10 Splice application



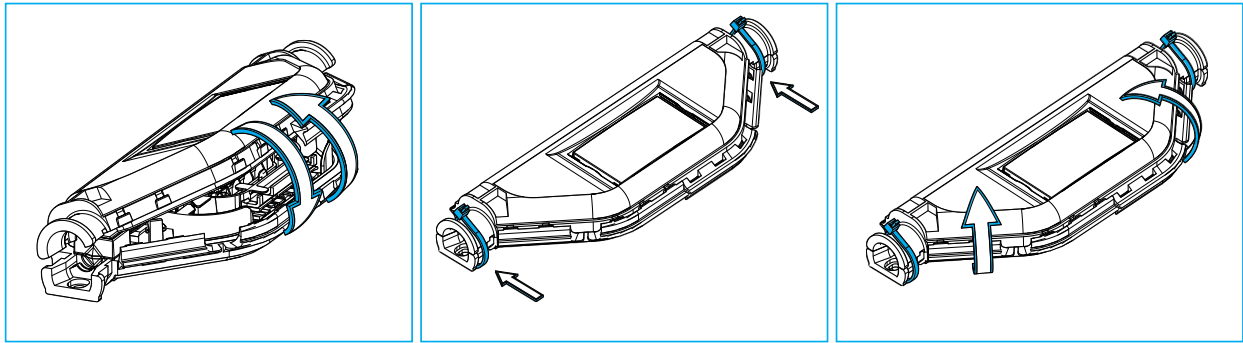
11 Patch application



12 Dark fiber storage



13 Close the closure

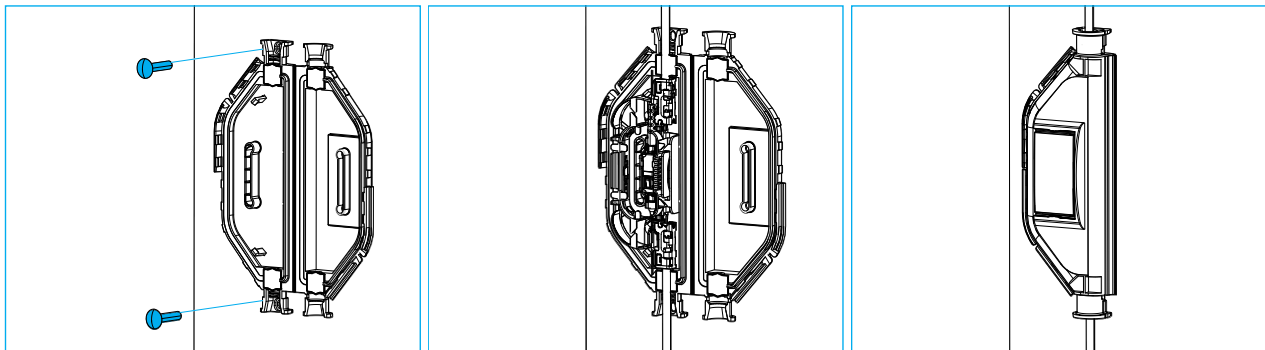



 **Note:** After every re-entry use a new closure housing.

- 1 Push on the middle part until the snap hooks snap into each other.
- 2 Install cable ties on both sides of the closure (start position).
- 3 Push on the sides until the snap hooks snap into each other.
- 4 Tighten the cable ties.

14 Mount the closure

14.1 Wall- and pole mounting with screws



 **Note:** Wall- and pole mounting hardware (screws) not included.

15 Disclaimer

All trademarks identified by ® are registered trademarks in the US and may be registered in other countries. All third party product names, trademarks and registered trademarks are property of their respective owners.

This product may be covered by one or more U.S. patents or their foreign equivalents. For patents, see www.cs-pat.com.

This document is not intended to modify or supplement any specifications or warranties relating to CommScope products or services.

16 Contact information

Visit our website or contact your local CommScope representative for more information. www.commscope.com

For technical assistance, customer service, or to report any missing/damaged parts, visit us at:

<http://www.commscope.com/SupportCenter>